

Copy switch with 2R panel and 4B

Red - 12V+
Black - 12V- and K1,K2 com
K1 - Dry contact to button 1
K2 - Dry contact to button 2
R1 - 220V Relay 1
R2 - 220V Relay 2
C - R1,R2 Phase common

1 Wire using No/Nc to control

Main - Where the light is connected.

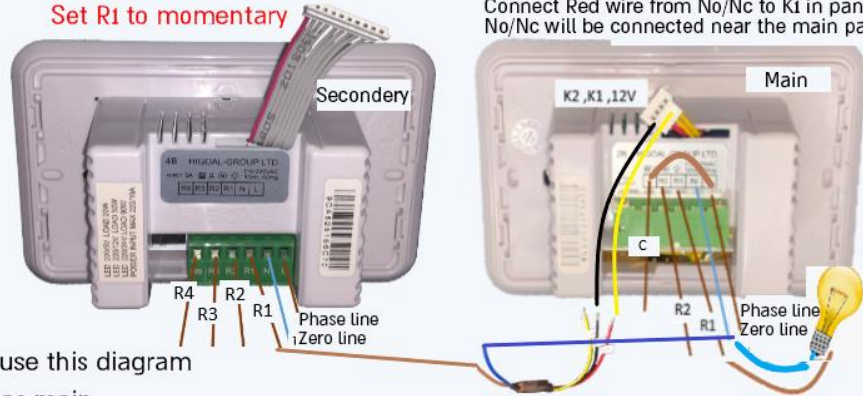
Remember to bridge C and L.

R1 control the light.

Connect Com of No/NC and panel.
Connect Red wire from No/NC to K1 in panel.
No/Nc will be connected near the main panel.

Bridge C and L in panel.

Set R1 to momentary



To copy to another panel, use this diagram
With the secondary panel as main.